



www.frazierhomedesign.com  
**FRAZIER HOME DESIGN, LLC.**  
 2840 PLAZA PLACE, STE. 320  
 RALEIGH, NC 27612  
 OFFICE: (919)-424-7245

**DEEP SOUTH BUILDING CO.**  
**VERUNAC RESIDENCE**

DATE: 05/10/2013  
 DRAWN BY: TF  
 REVISION DATE: 06/12/2013

**ELEVATION**

SHEET NO.  
**A1**

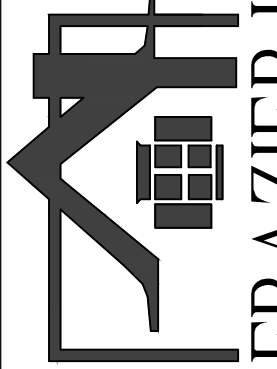


REAR ELEVATION

SCALE: 1/4"=1'

LEFT SIDE ELEVATION

SCALE: 1/4"=1'



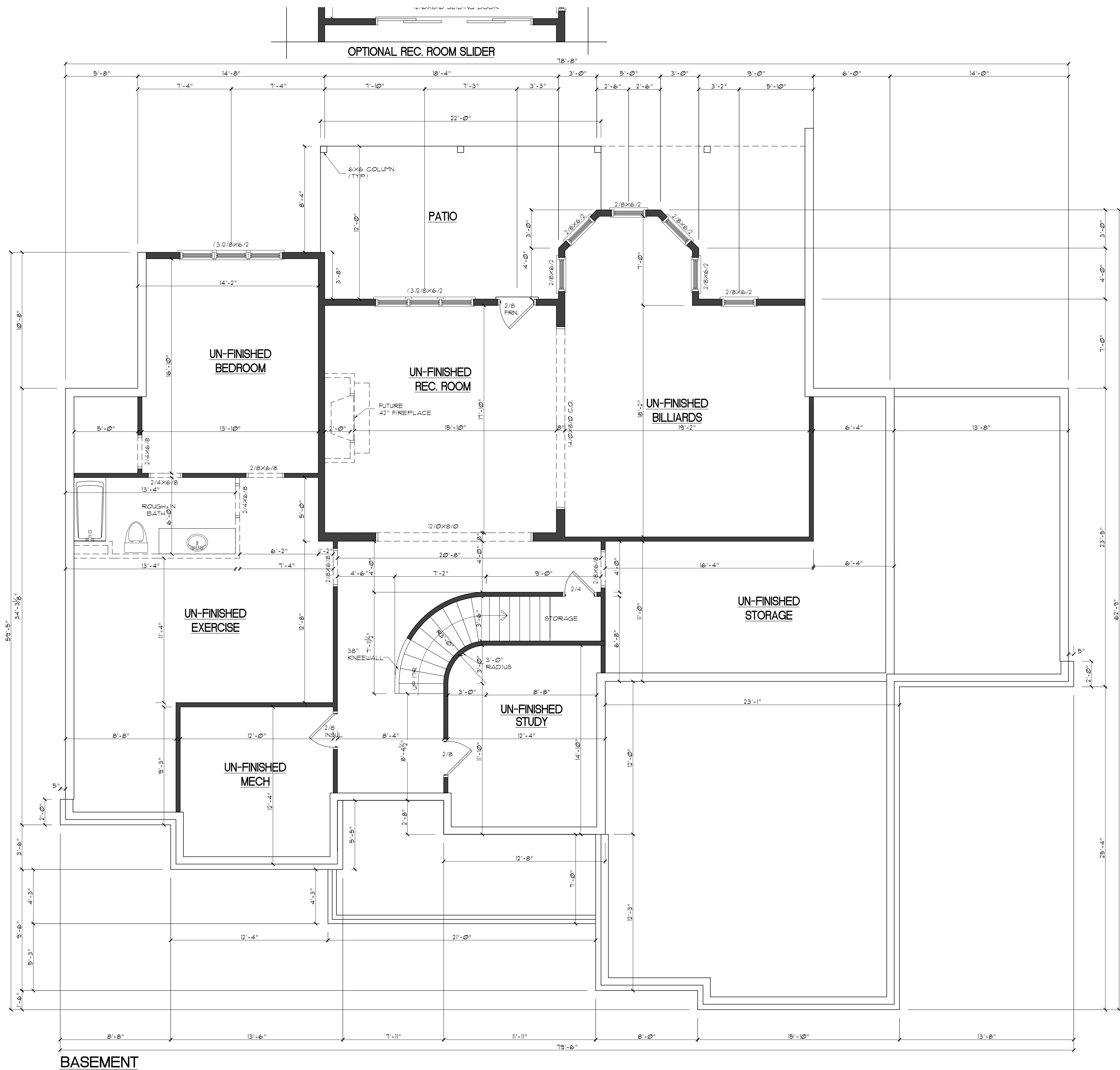
www.frazierhomedesign.com  
**FRAZIER HOME DESIGN, LLC.**  
 2840 PLAZA PLACE, STE. 320  
 RALEIGH, NC 27612  
 OFFICE: (919)-424-7245

**DEEP SOUTH BUILDING CO.**  
**VERUNAC RESIDENCE**

DATE: 05/10/2013  
 DRAWN BY: TF  
 REVISION DATE: 06/12/2013

ELEVATION

SHEET NO.  
**A2**



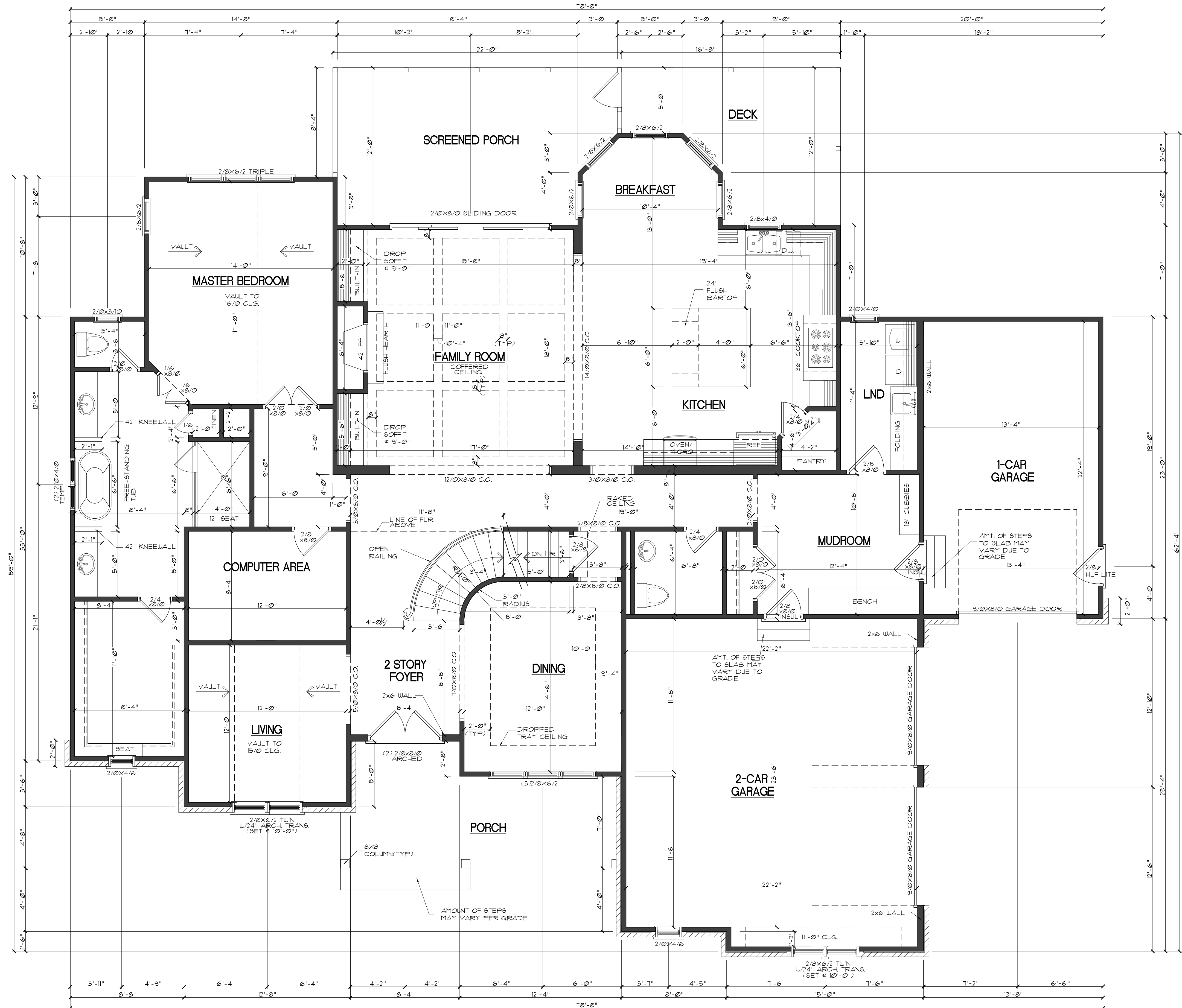
**BASEMENT**  
SCALE: 1/4"=1'

**DEEP SOUTH BUILDING CO.**  
**VERUNAC RESIDENCE**

DATE:	05/10/2013
DRAWN BY:	TF
REVISION DATE:	06/12/2013

**BASEMENT**

SHEET NO.  
**A3**



**FIRST FLOOR**  
 SCALE: 1/4"=1'

**GENERAL NOTES**

**WALLS:**  
 ALL WALLS ARE DRAIN 4" THICK UNO.  
 ANGLED WALL ARE DRAIN 4x4" UNO.

**SMOKE DETECTORS:**  
 LOCATION AND NUMBER OF DETECTORS SHALL CONFORM TO NEC.

**EGRESS:**  
 ALL BEDROOMS MUST HAVE AT LEAST ONE WINDOW WHICH CONFORMS TO R-310 OF THE NC BLDG CODE. IT IS THE CONTRACTOR'S RESPONSIBILITY TO VERIFY CHOSEN WINDOWS MEET EGRESS REQUIREMENTS AS MANUFACTURERS VARY.

**ATTIC ACCESS:**  
 MIN. ATTIC ACCESS SHALL BE PROVIDED BY BUILDER AND LOCATED ON SITE.

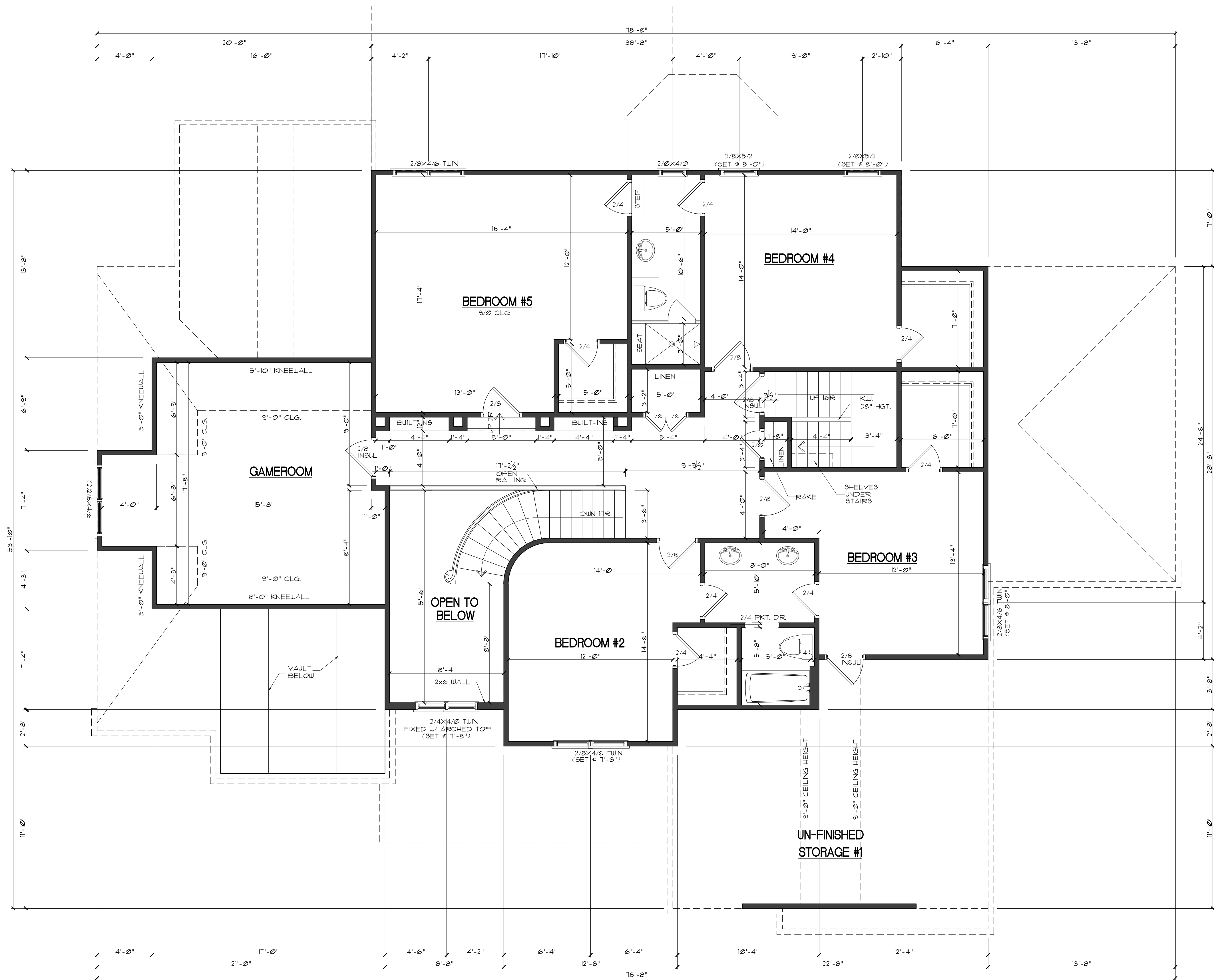
**WALL/CEILING HGT:**  
 WALL AND CEILING HEIGHT NOTES ARE BASED ON NOMINAL WALL SIZE.  
 KNEE WALL HEIGHT LABELS FOR WALLS UNDER RAFTERS ASSUME AN EXTRA 2" FOR FURRING (IN HEATED SPACES) FOR INSULATION. THE WALL HEIGHT REFERS TO THE HGT. FROM THE FLOOR DECKING TO THE BOTTOM OF THE FURRING.

<b>FLOOR AREA:</b>	
FIRST FLOOR HTD. *	2493#
SECOND FLOOR HTD. *	1191#
TOTAL SQ. FT. =	4284#
UN-FINISHED ATTIC = 580#	
UN-FINISHED BASEMENT = 2493#	
FRONT PORCH = 165#	
SCREENED PORCH = 244#	
DECK = 151#	
1 CAR GARAGE = 311#	
2 CAR GARAGE = 561#	
UN-FINISHED STOR. = 218#	

DATE: 05/10/2013  
 DRAWN BY: TF  
 REVISION DATE: 06/12/2013

**FIRST FLOOR**

SHEET NO.  
**A4**



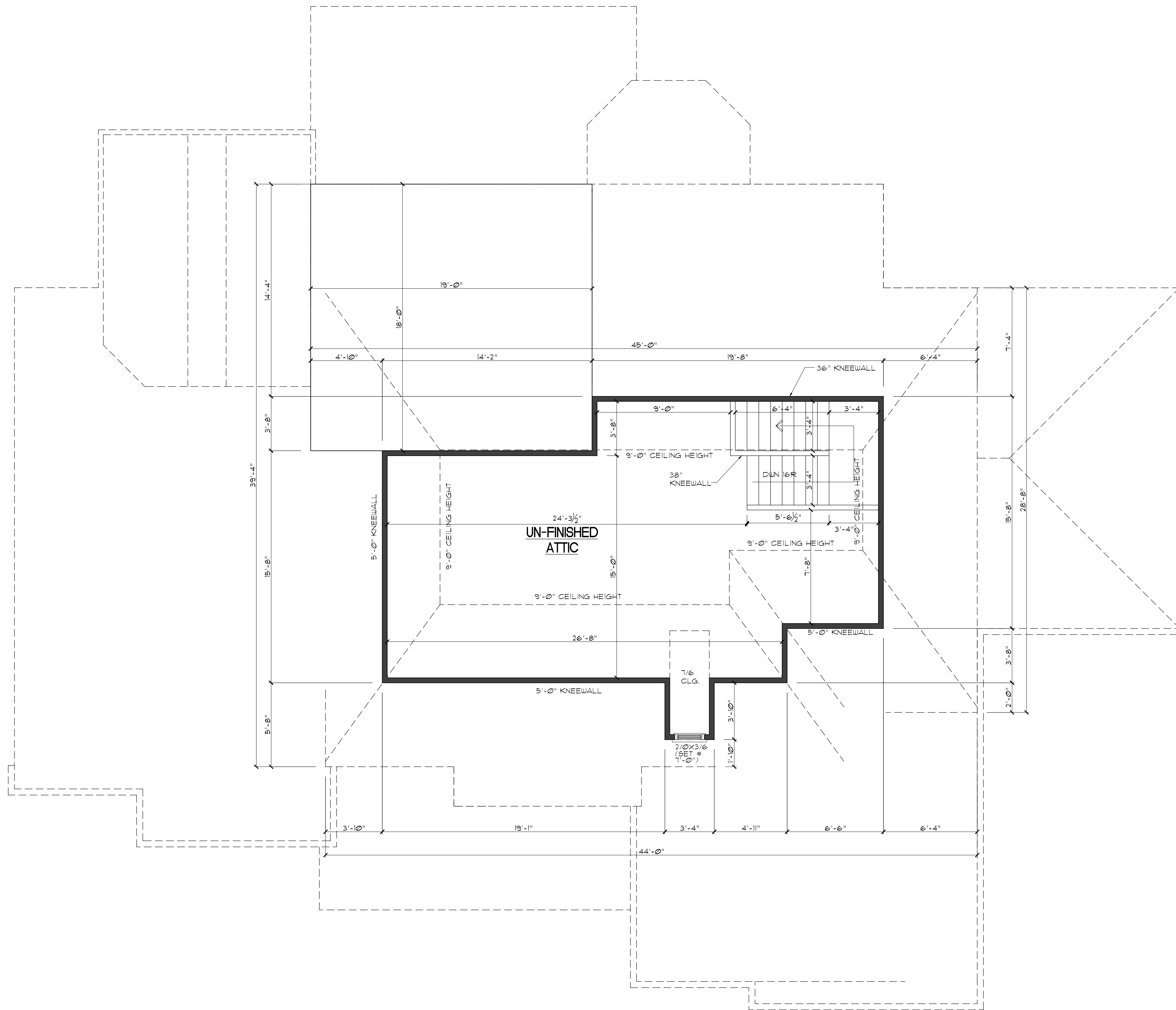
**SECOND FLOOR**  
SCALE: 1/4"=1'

**DEEP SOUTH BUILDING CO.**  
**VERUNAC RESIDENCE**

DATE:	05/10/2013
DRAWN BY:	TF
REVISION DATE:	06/12/2013

**SECOND FLOOR**

SHEET NO.  
**A5**



WALK-UP ATTIC  
SCALE: 1/4"=1'

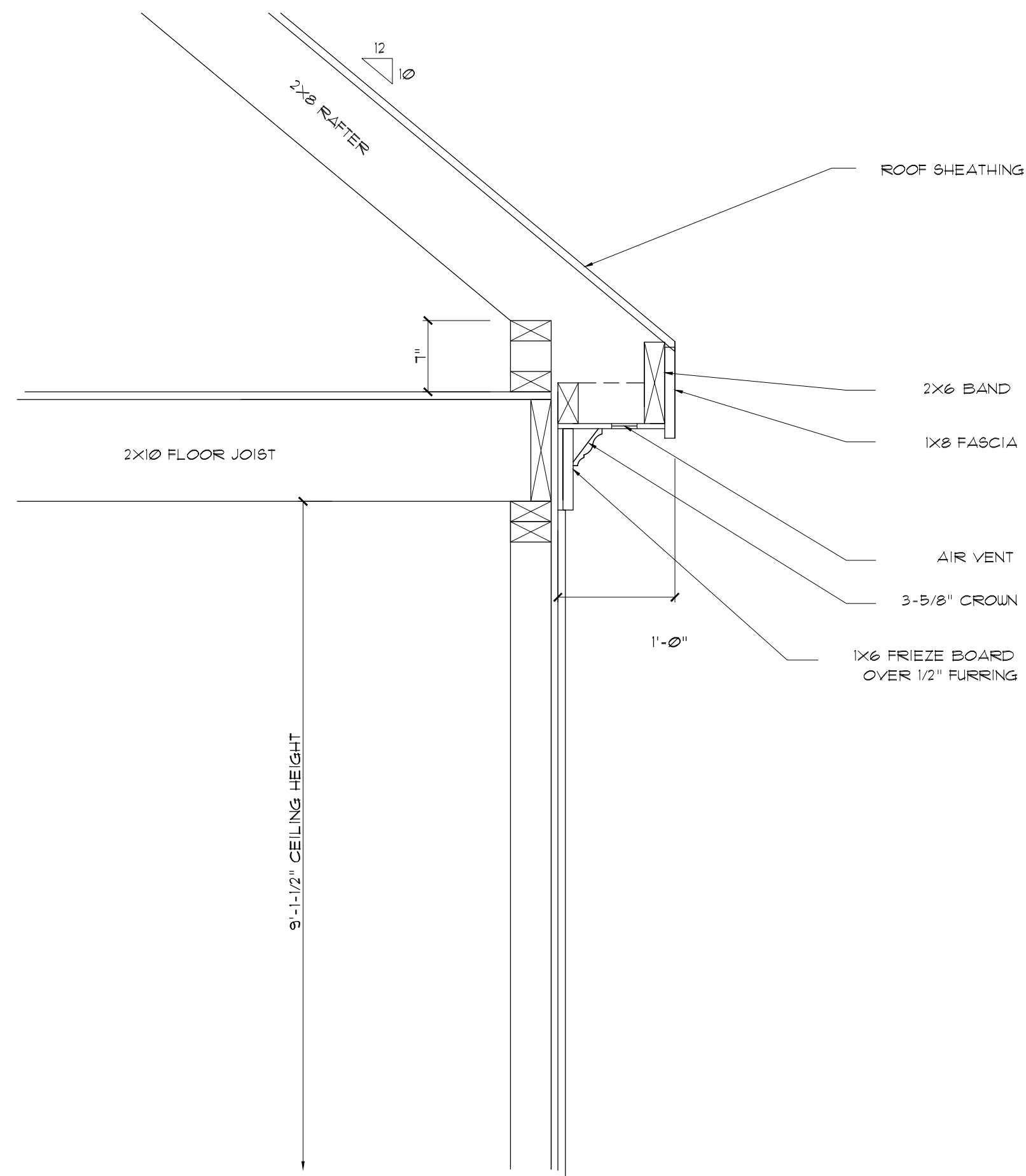
**DEEP SOUTH BUILDING CO.**  
**VERUNAC RESIDENCE**

DATE: 05/10/2013  
 DRAWN BY: TF  
 REVISION DATE: 06/12/2013

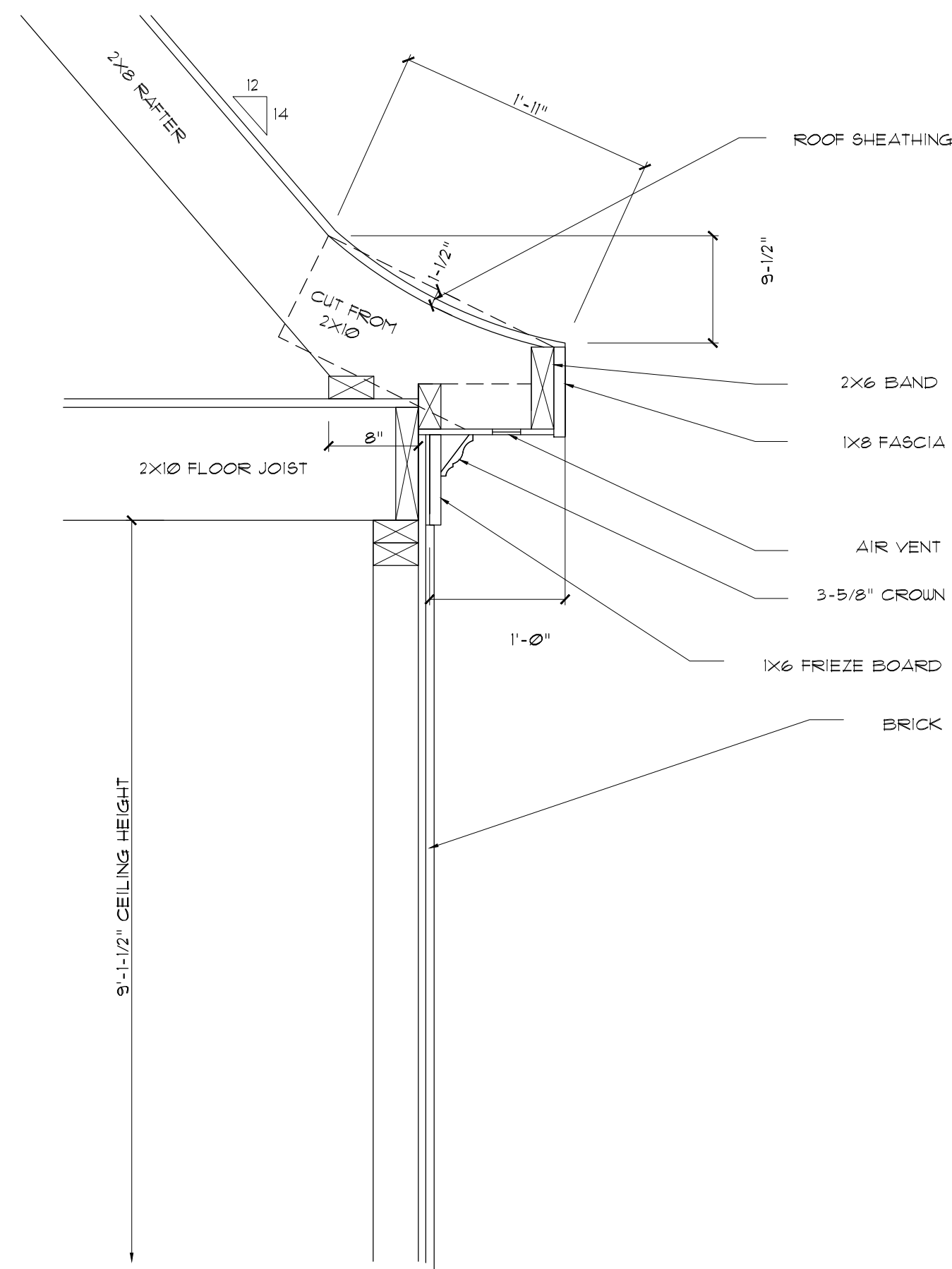
WALK-UP ATTIC

SHEET NO.

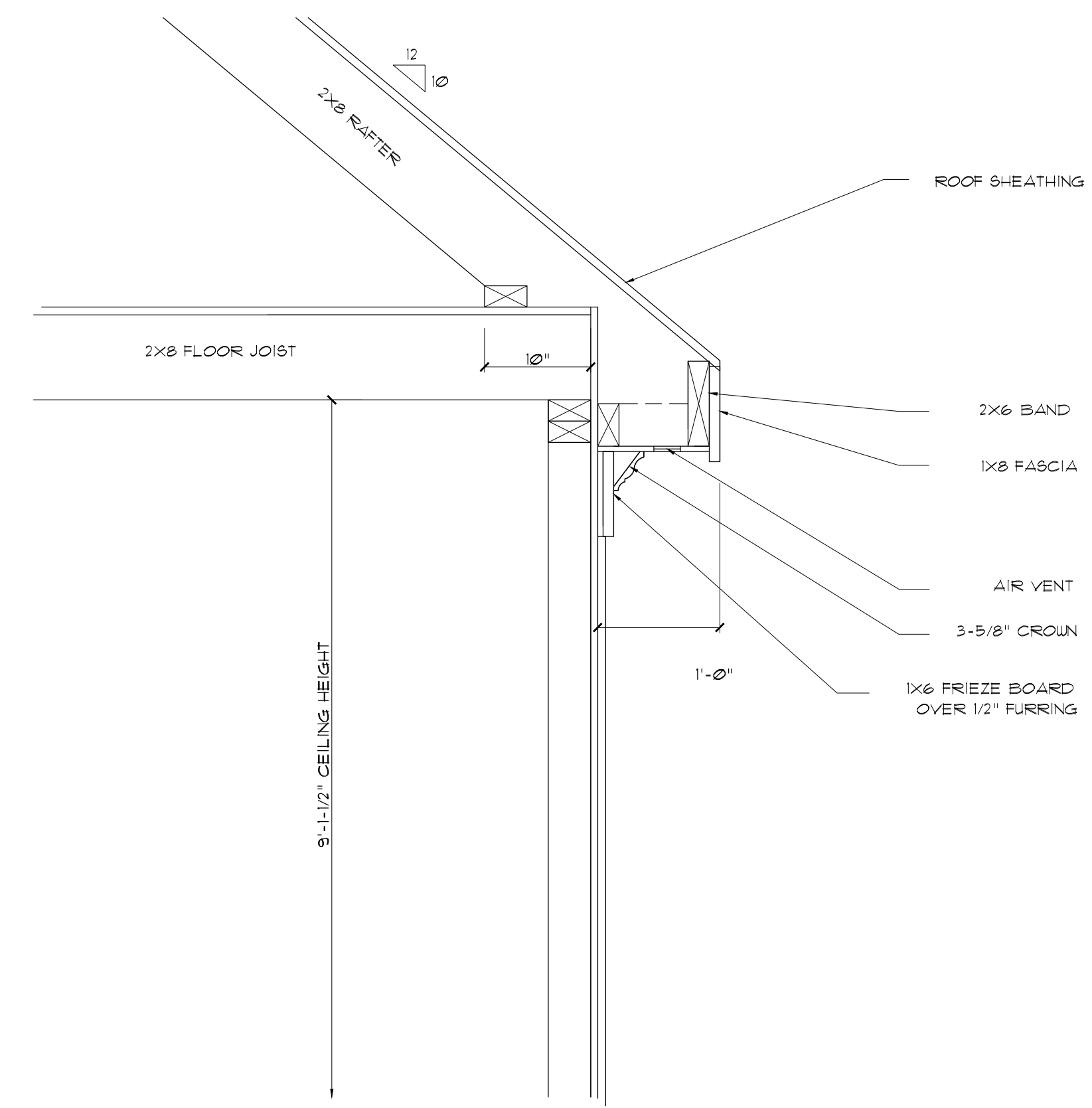
A6



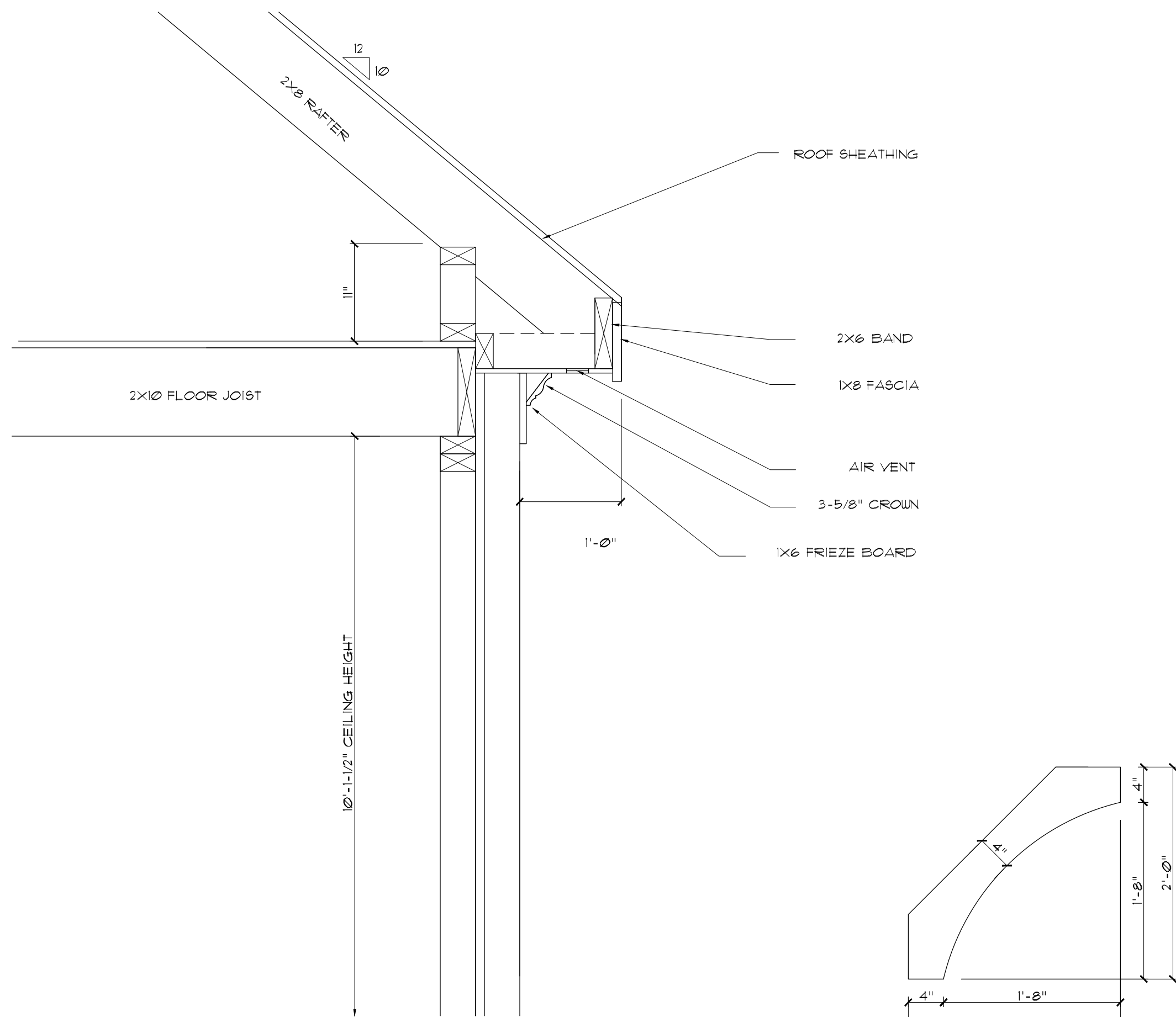
1 UPPER MAIN ROOF EAVE  
D1 SCALE: 1"=1'



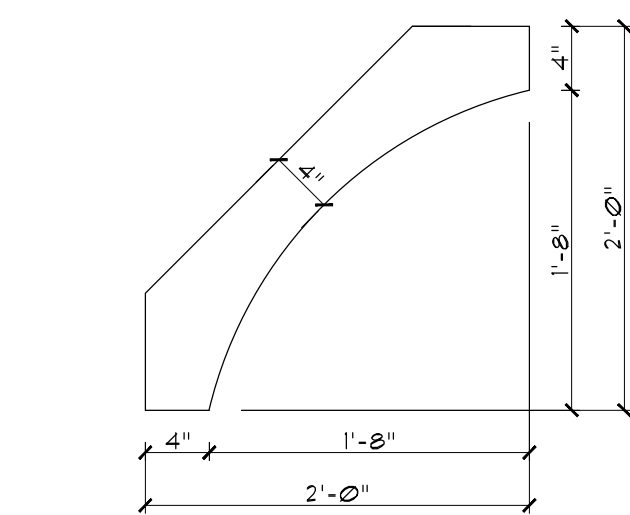
2 UPPER ROOF EAVE  
D1 SCALE: 1"=1'



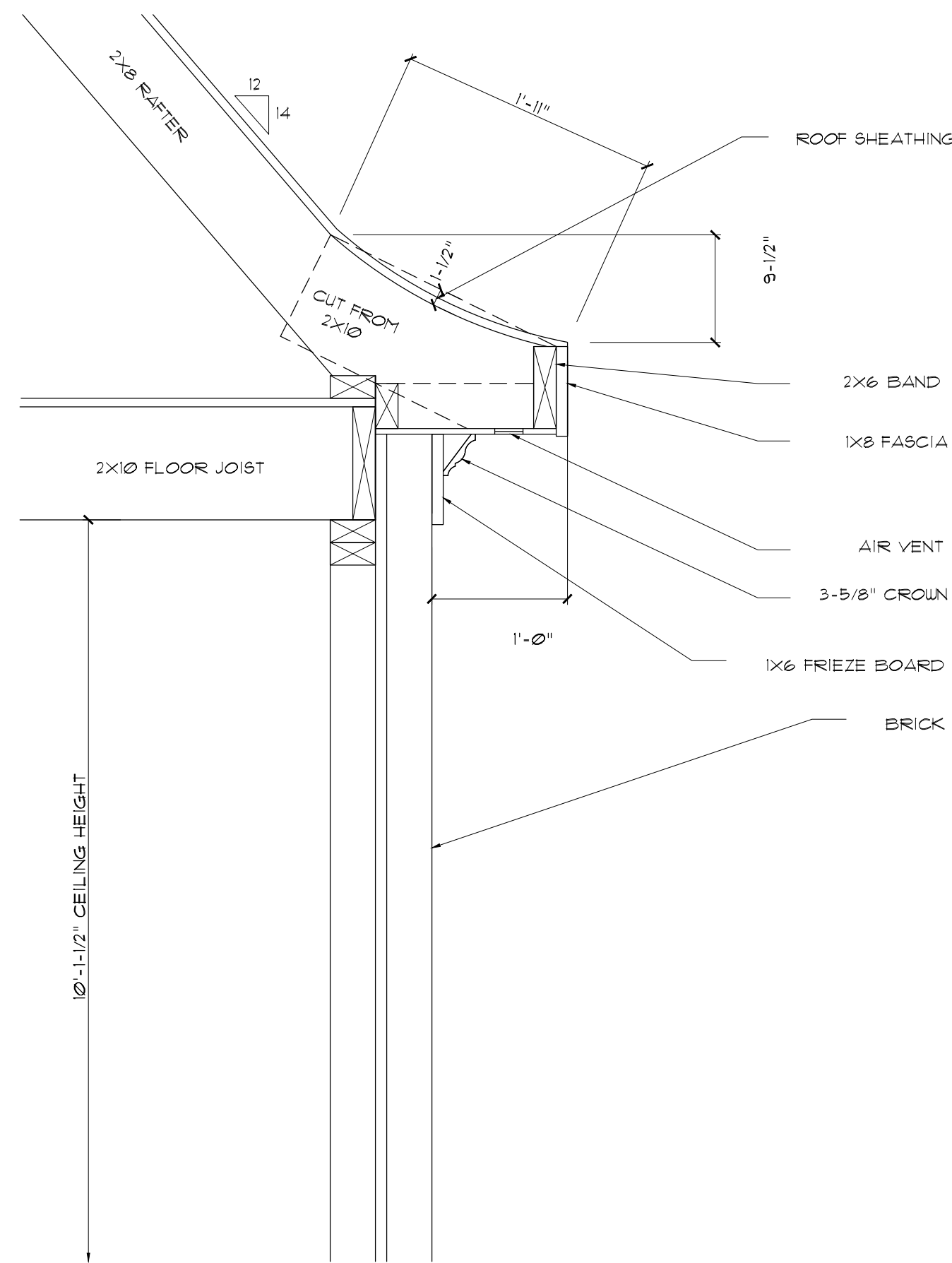
3 UPPER MAIN ROOF EAVE  
D1 SCALE: 1"=1'



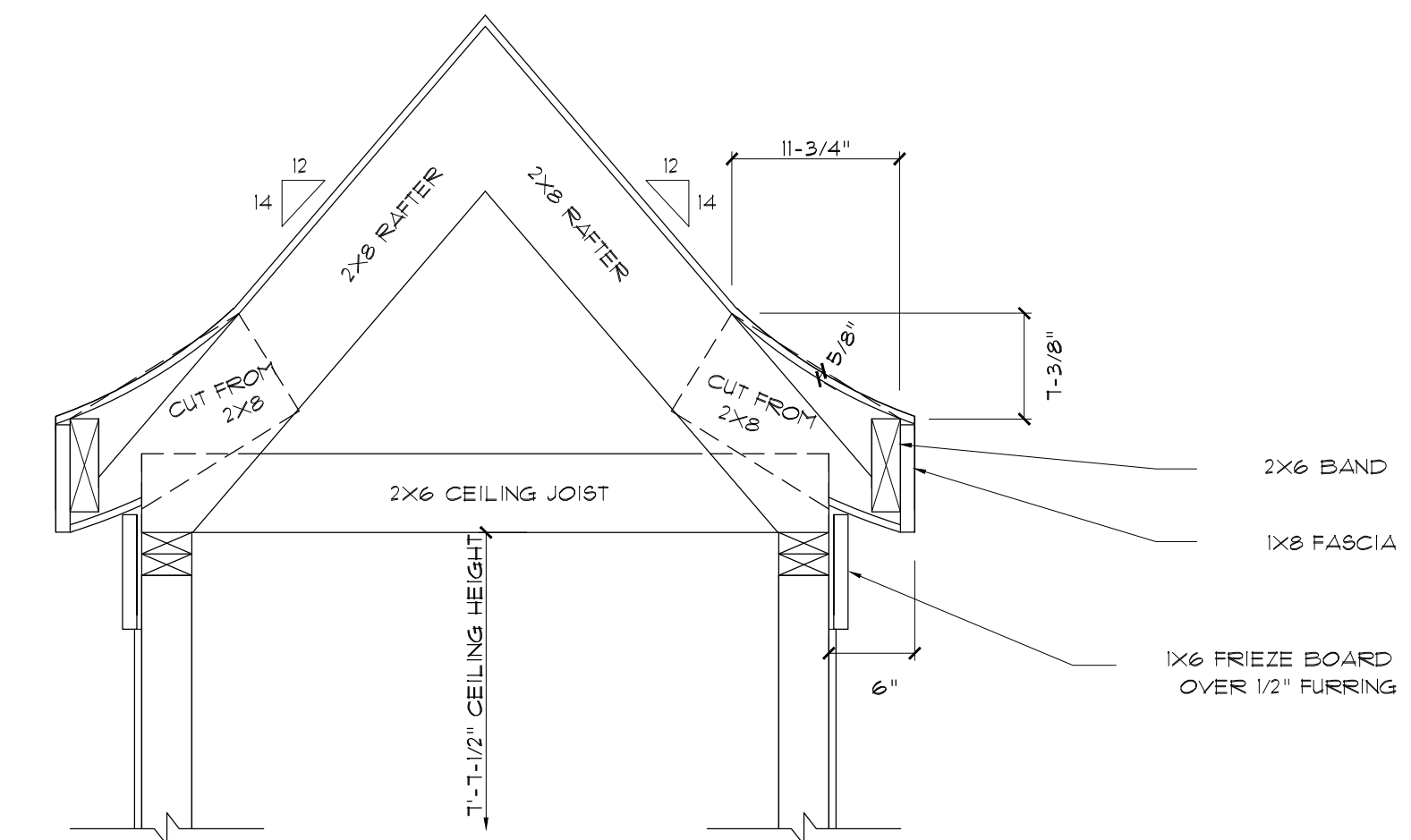
4 MAIN ROOF EAVE  
D1 SCALE: 1"=1'



1 CURVED BRACKET  
D1 SCALE: 1"=1'



5 TYPICAL SWOOP EAVE  
D1 SCALE: 1"=1'



6 DORMER DETAIL  
D1 SCALE: 1"=1'

**DEEP SOUTH BUILDING CO.**  
**VERUNAC RESIDENCE**

DATE: 05/10/2013  
 DRAWN BY: TF  
 REVISION DATE: 06/12/2013

DETAILS

SHEET NO.

D1